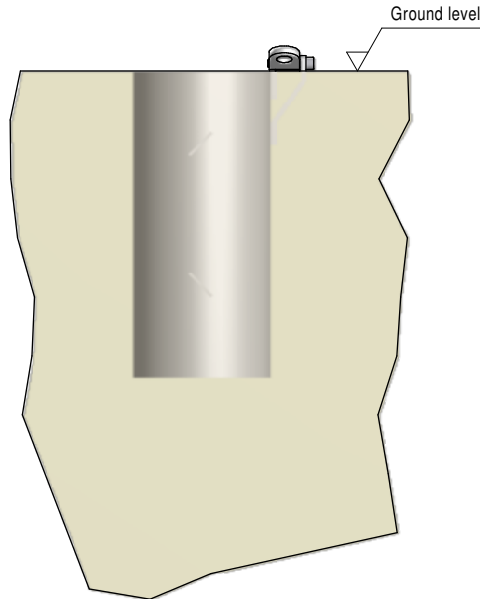
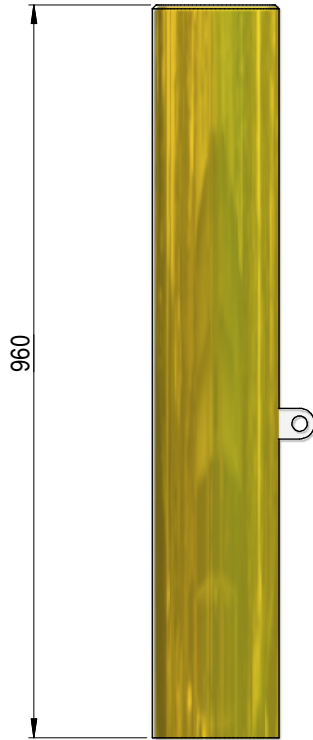
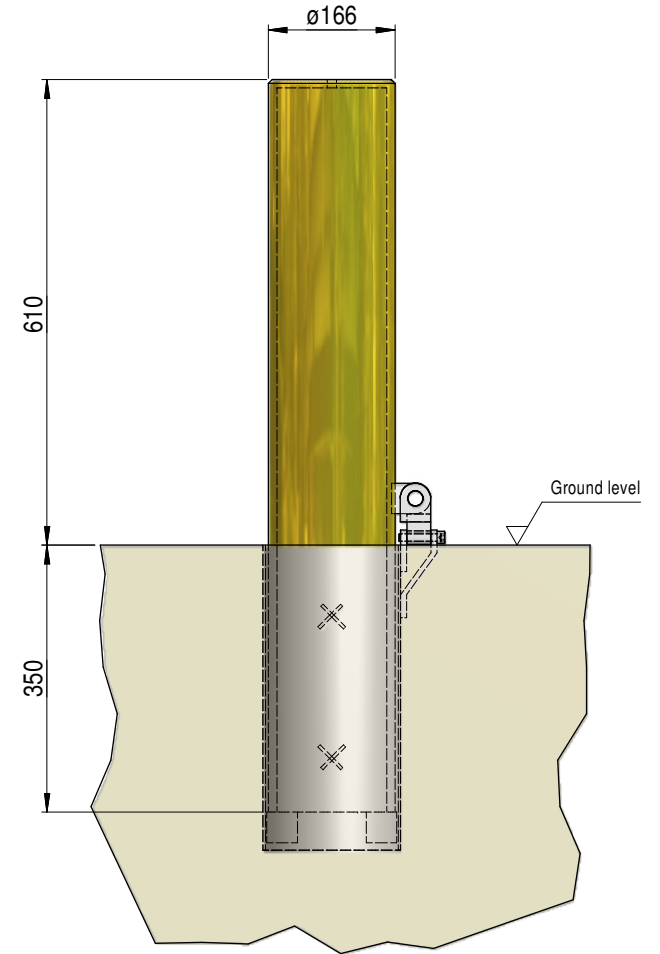
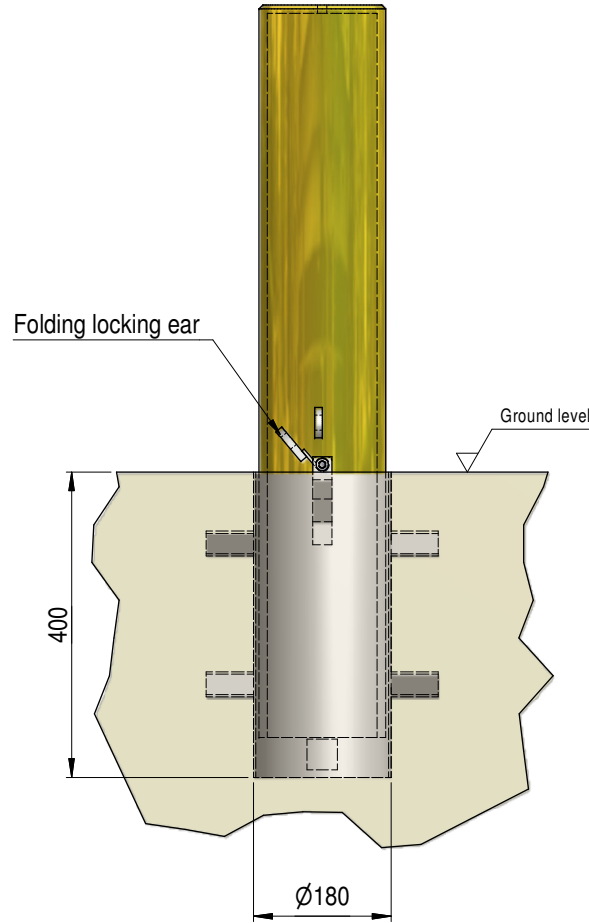
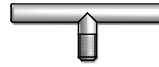



THIS DOCUMENT IS PROPERTY OF EL-GO TEAM LIMITED, AND IT MAY NOT WHOLLY OR PARTIALLY BE COPIED, STORED IN A RETRIEVAL SYSTEM, DISCLOSED TO THIRD PARTIES OR USED FOR ANY OTHER PURPOSE OTHER THAN THAT FOR WHICH IT IS SUPPLIED WITHOUT THE EXPRESS WRITTEN AUTHORITY OF EL-GO TEAM LIMITED.



Lifting handle  
1:3.5



		General Tolerances				SCALE	ALL DIMENSIONS ARE IN MM				
		1	OTHER TOL.	MACHINING	DEG.	1:7	FINISH: SEE NOTE No.				
Project name	Next Assy Dwg No.	QTY	± mm	± mm	± °		WEIGHT	N/A			
CONFIDENTIAL: THIS DRAWING & INFORMATION IS THE PROPERTY OF EL-GO TEAM. UNAUTHORIZED USE OR REPRODUCTION IS PROHIBITED.		Drawn by	Date	Designed by	Date	Checked by	Date	Approved by	Date		
		Sharon B. Malul	24/11/2009	Eshel Yoram	24/11/2009	Eshel Yoram	24/11/2009	Hever David	24/11/2009		
 <b>EL - GO TEAM</b> PARKING & SECURITY SYSTEMS TEL 972-9-8943466 FAX 972-9-8943555 WWW.ELGOTEAM.COM						<b>TITLE: Bollard BLG-08</b>					
PART No.		Drawing No.		Edition		Sheet					
-		08-11-24		01		1/2					