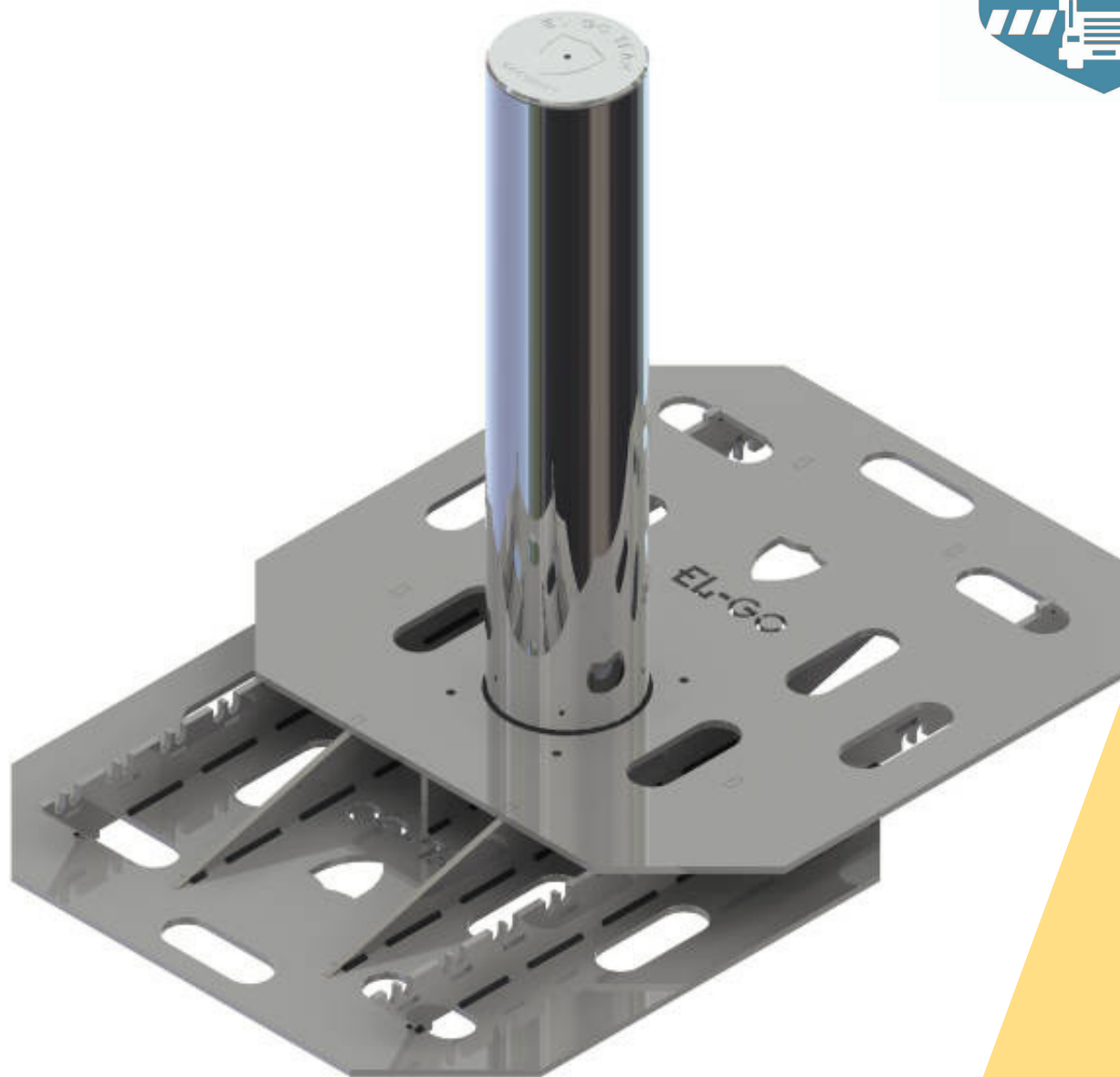


BLG-02-SM-200

SUPER SHALLOW MOUNT BOLLARD



EL-GO TEAM
SECURITY SYSTEMS



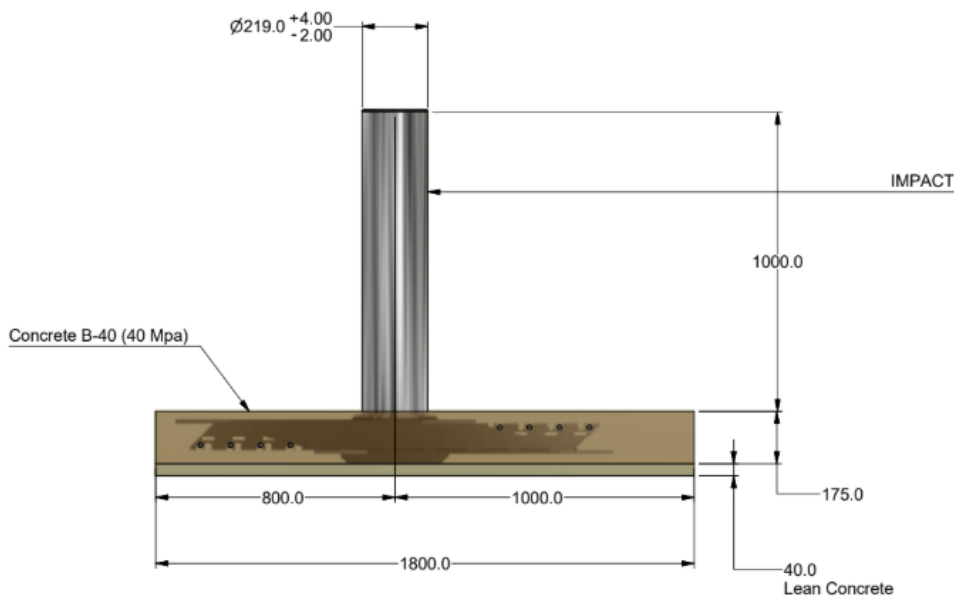
ELGOTEAM LTD

info@elgoteam.com

SUPER SHALLOW MOUNT BOLLARD

BLG - 02 - SM - 200

The BLG-02-SM-200 Shallow Mount Bollard is a superb solution for the growing threat of car-ramming and other vehicular attacks. Terrorists have been increasingly using vehicles to target crowded civilian areas and other sensitive or high-profile sites, killing and wounding thousands of people worldwide. Our solution addresses this critical vulnerability quickly and effectively, enabling you to secure dense urban settings and other intricate environments and perimeters.



💡 Main Highlights:

- Quick & Easy to install.
- Super Shallow Foundation - Only 175mm deep
- Successfully tested to PAS68 7.5ton/ 48kmh
- Received a Zero penetration result.
- Available both as Fixed/Removable
- Hot dip galvanized, available at any RAL color or Stainless steel.
- Optional: Reflective strip



EL-GO TEAM
SECURITY SYSTEMS

ELGOTEAM LTD

info@elgoteam.com

SUPER SHALLOW MOUNT BOLLARD

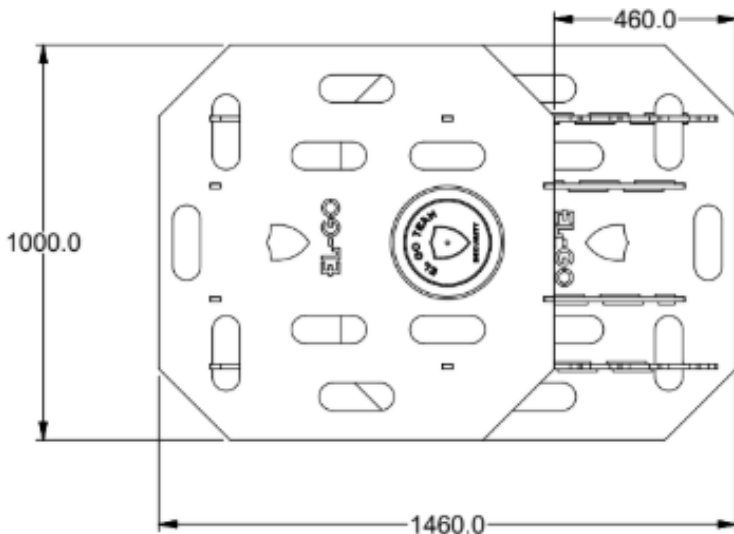
BLG - 02 - SM - 200

The BLG-02-SM-200 is an easily installed fixed bollard that requires a super shallow foundation of only 175 mm (6.9"). This makes it ideal for urban areas and other high-density locations with vast underground infrastructure or limitations that hinder more traditional solutions. Our cutting-edge bollard comes with the PAS68 and IWA-14 impact test certification and has resisted a 7,500 kg truck traveling at 48 kmh (30 mph), with zero penetration. This innovative bollard is available in a variety of colors and finishes and seamlessly blends into any environment.

Product

BLG-02-SM-200

Height Above Road (H)	1000mm/ 39.37"
Foundation depth	175mm/ 6.9"
Bollard Diameter (D)	220mm/ 8.7"
Bottom footprint	1460mm(L)x 1000mm(W) 57.48" (L) x 39.37"(W)
Protection Level	PAS68:2013 V/7500(N2)/48/90:0.0/0.0 IWA14-1:2013; V/7200[N2A]/48/90:0.2
Unit weight	310kg/683lbs
Finish	Hot Galvanized, Powder coated, any RAL color, Stainless steel cover
Available	Removable option



EL-GO TEAM
SECURITY SYSTEMS

ELGOTEAM LTD

info@elgoteam.com

SUPER SHALLOW MOUNT BOLLARD

B L G - 0 2 - S M - 2 0 0



EL-GO TEAM
SECURITY SYSTEMS

ELGOTEAM LTD

info@elgoteam.com