

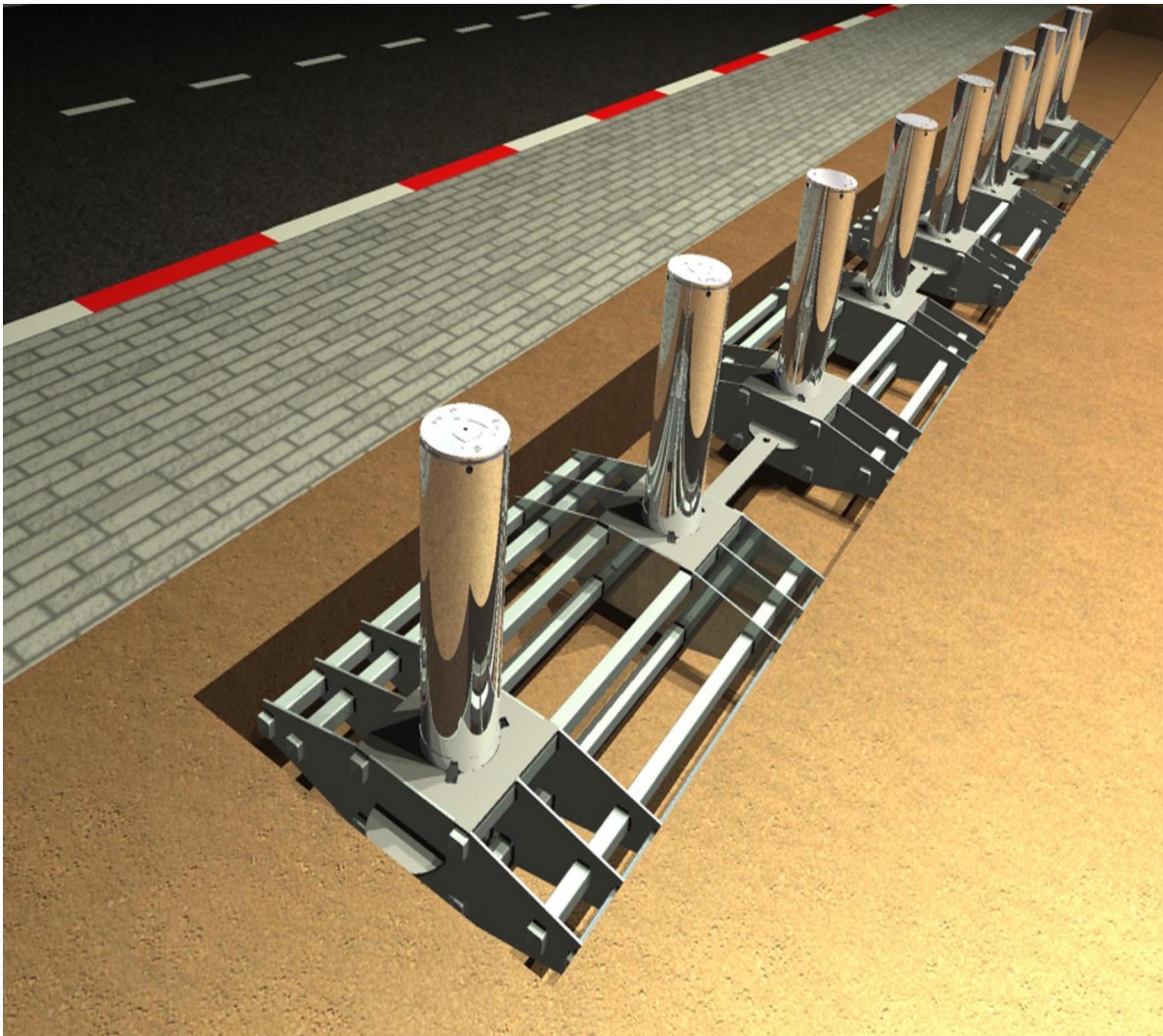


EL-GO TEAM
SECURITY SYSTEMS

WE KNOW SECURITY

IWA 14 Shallow Mount Bollard

BLG 02 SM





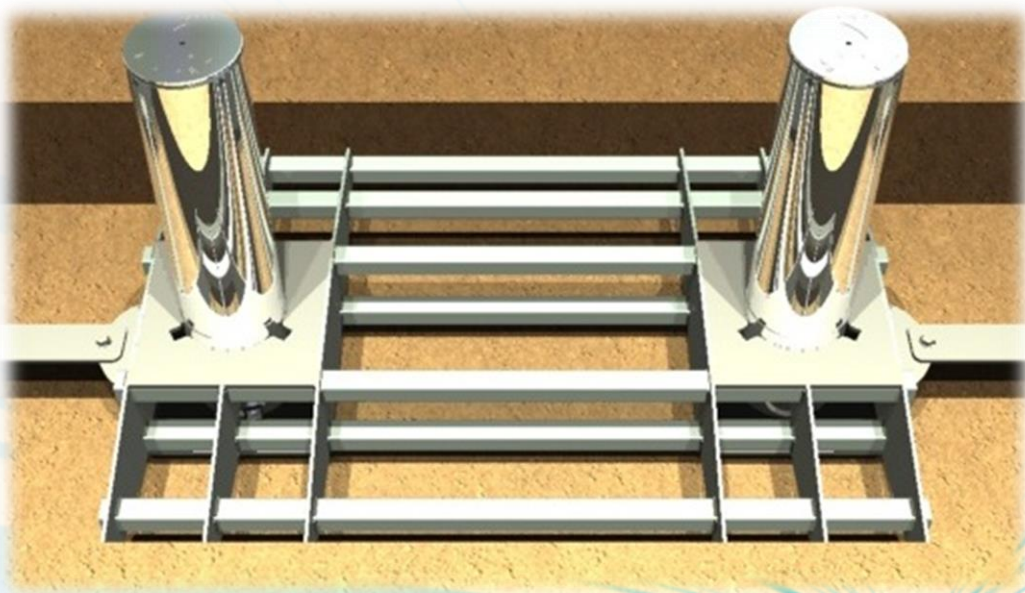
BLG-02-SM

IWA 14 certified bollard

BLG Shallow Mount Bollard system is the best solution when perimeter Anti-Crash protection is required in areas where deep excavation is not possible.

Main highlights:

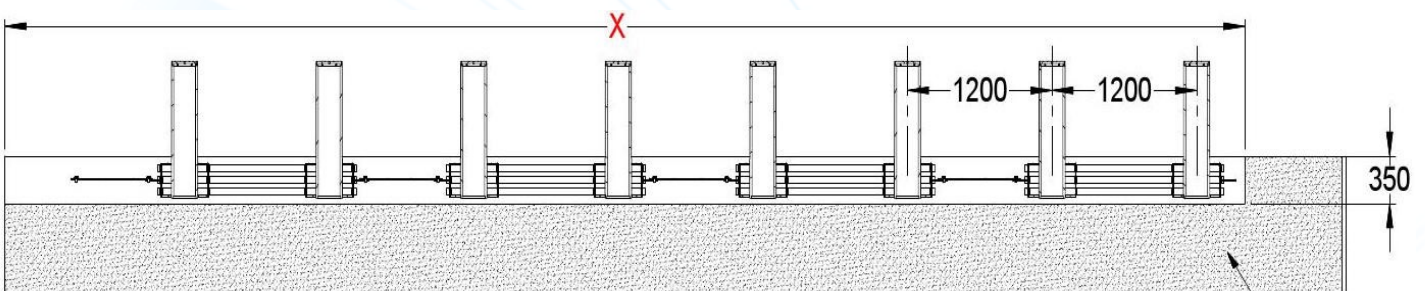
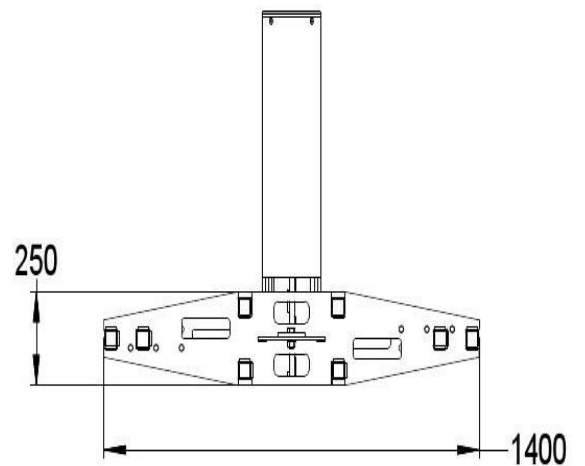
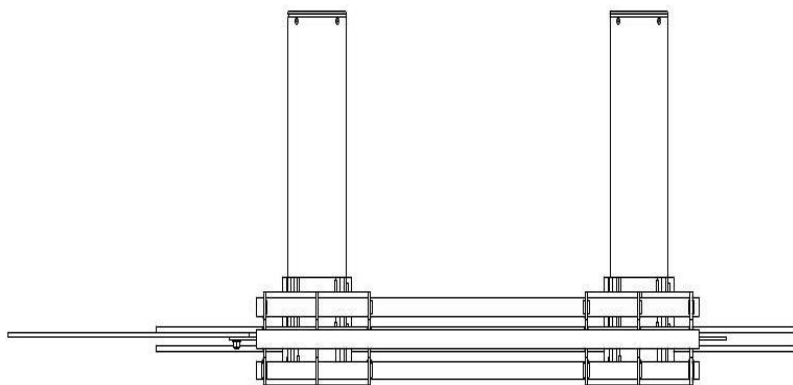
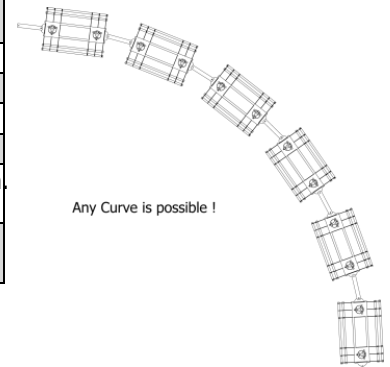
- Optional LED light, stainless steel coating.
- No need for rebar.
- Modular design.
- Adjustable to any curve.
- Maintenance free.
- Available as Removable bollard.
- Finish suites any outdoor conditions (S.S, galvanized, polyuria).





Technical details

Product	BLG-02-SM
Height above road (H)	700 mm / 39.3"
Foundation depth	350 mm / 13.7"
Internal casing (I)	1210 mm / 48"
Bollard internal Overlap (O)	300 mm / 12"
Bollard diameter (D)	220 mm / 9"
Protection level	IWA 14-7.2 ton- 48km\h-M30-P1-Zero penetration. Bollard continue to work after crash
Options	LED lights, Hot deep galvanized with stainless steel cover.



No rebars needed!

SECTION E-E
1 : 50

Ground