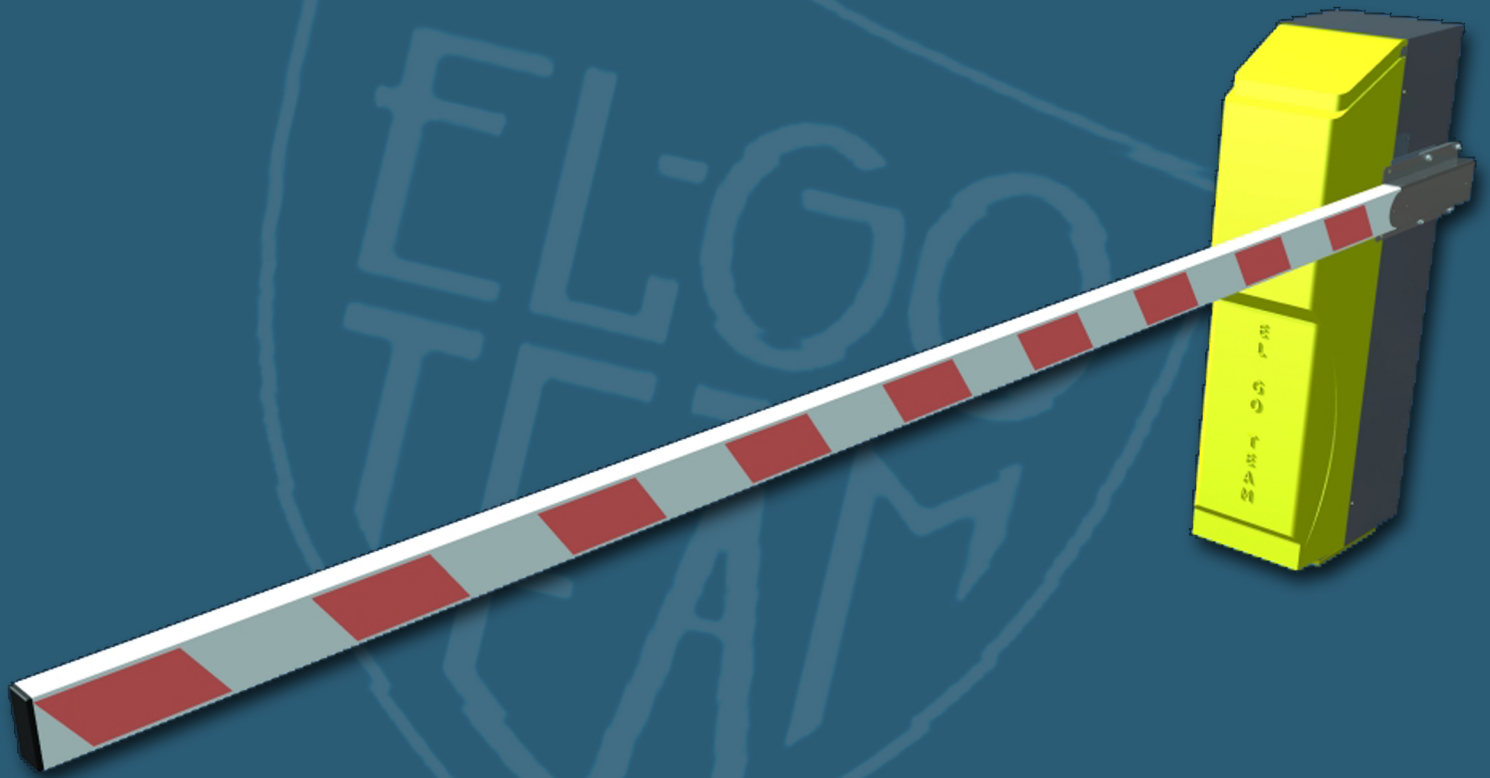


Arm Barrier

EL-04/05





Specifications for Electric Arm Barrier
Model: EL-04/05

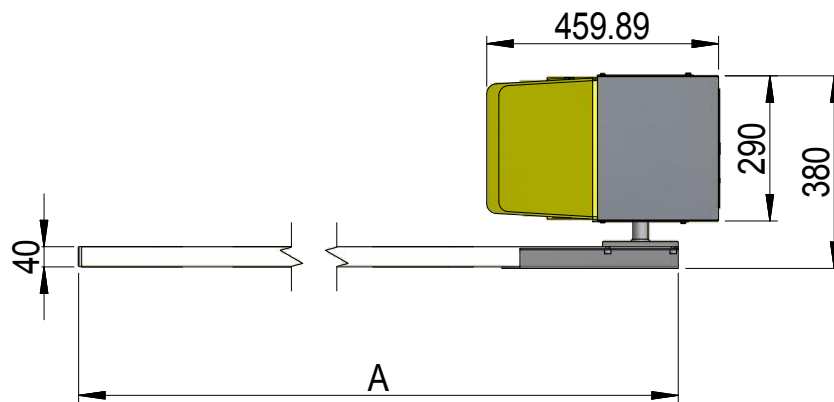
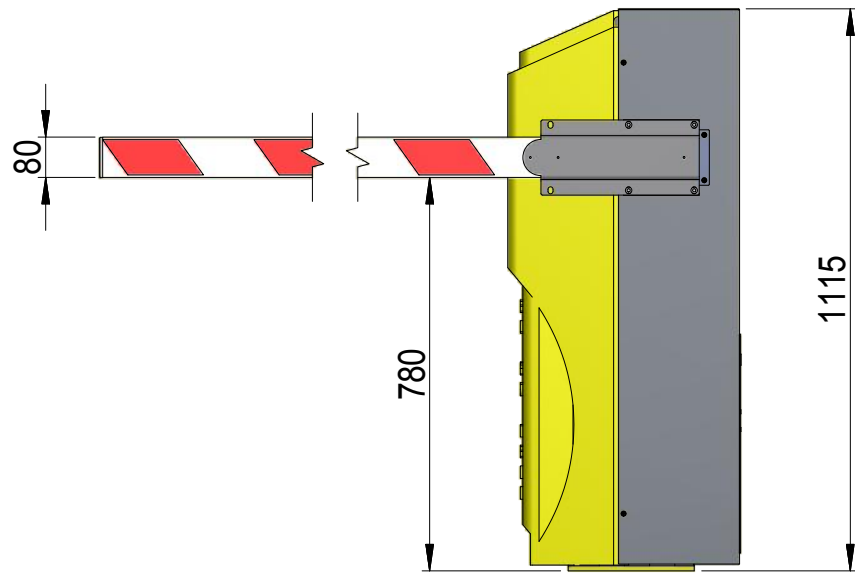
Electric arm barrier model EL-04/05 developed and manufactured by EL-GO TEAM.

Top quality arm barrier up to 6 Meter Arm Length and Suitable for heavy duty operation, therefore Functional mostly for Airports / Harbor Entrances, with large volume traffic, for passage of authorized vehicles only.
This lifetime product will never stop working.

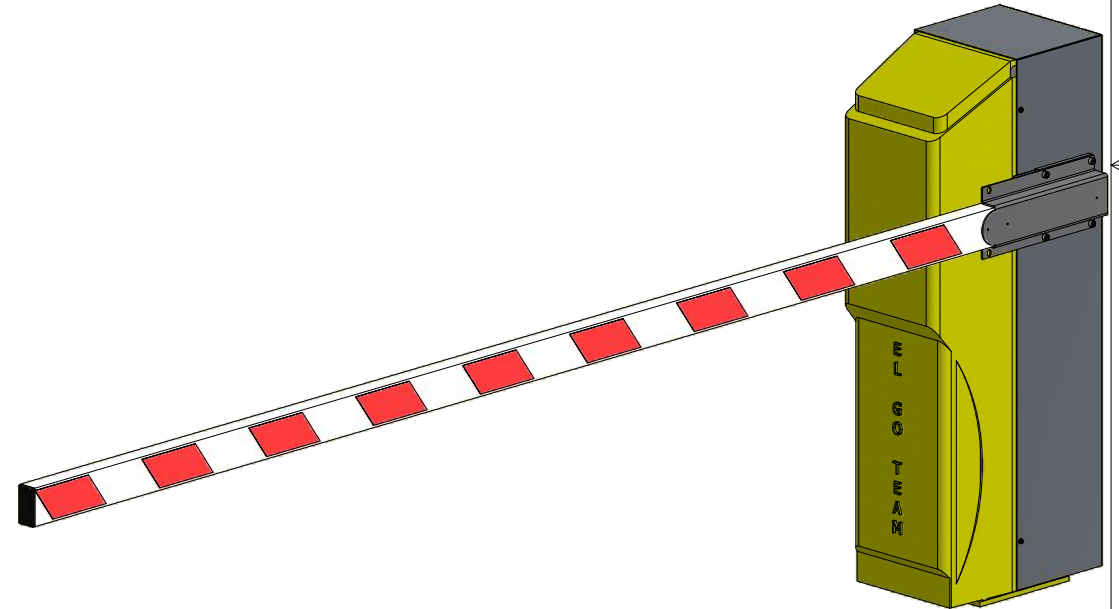
Barrier type	Electric arm barrier EL-04/05 Up to 6 M arm length
Operation	Electric power supply 240V\110V 3 phase motor 0.55 KW, No balance spring.
Outdoor protection	IP 55
Dimensions	460mm * 290mm * 1100mm
Operating speed	2-6 seconds (adjustable)
Operational per hr	Unlimited (100% duty cycle)
MCBF	5 Million
Safety features	Road loop detector for cars safety, Infrared sensors for pedestrian safety, (2 units)
Arm pole	Aluminum arm Round 3" or rectangular 40x80 powder coated with red reflector stripes.
Controls	Schneider electric AC variable speed drive for 3 Phase induction motors
Weight	72 Kg (body) + 4 Kg (arm)
Back Cover	Black powder coated 1.5mm steel
Front Cover	Yellow ABS UV protected
Body	Strong 5mm ST-52 galvanized steel body
Temperature	-20° to +65° C


Options

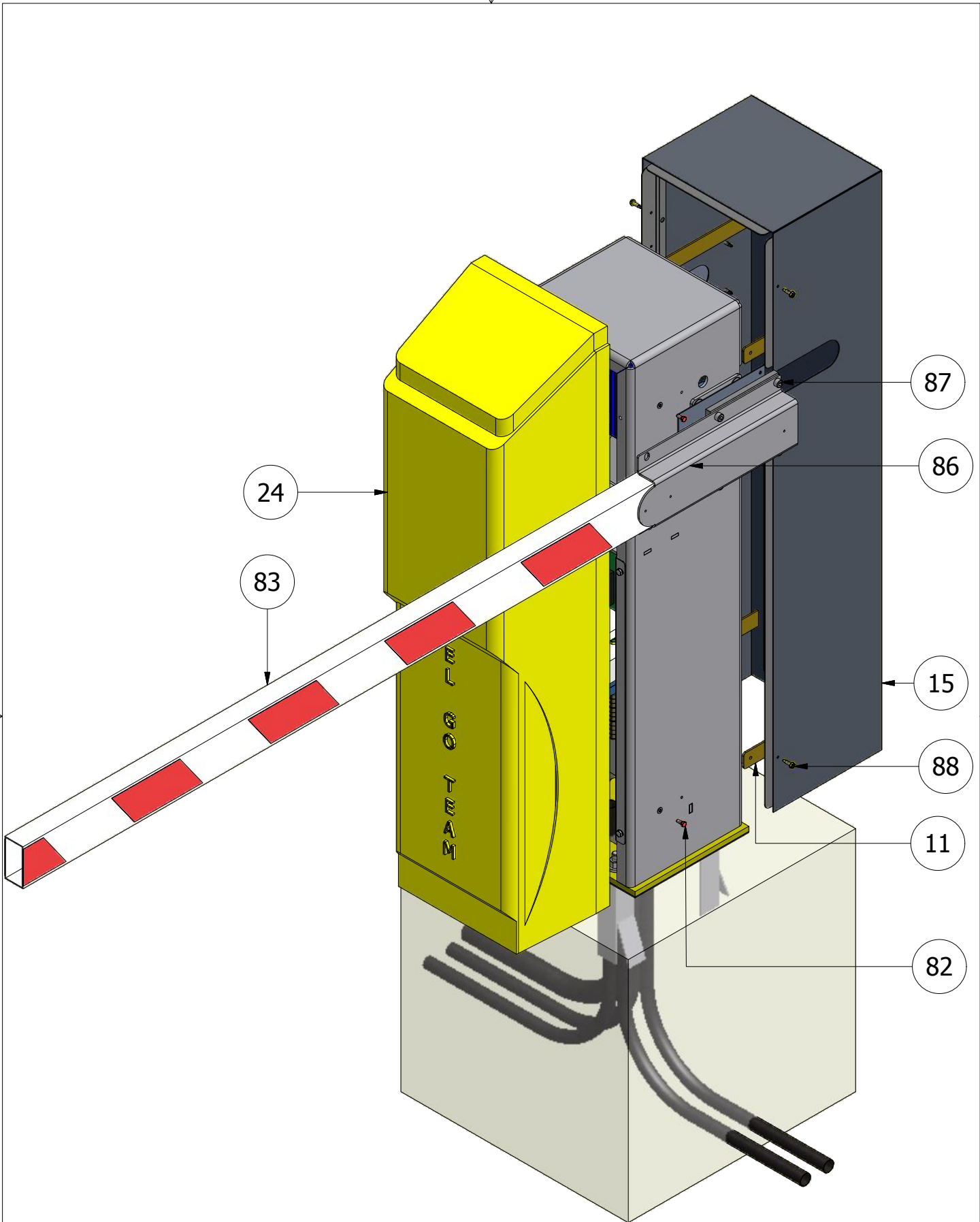
- Operational via mobile phone
- Operational via magnetic cards /proximity tag
- Operational via LPR cam
- Operational via radio receiver
- Removable arm base
- Folding arm for low ceilings
- Electro magnetic locking arm system
- Opposite support pole
- Can be synchronized with any access control systems.




	A	Motor	Gear
EL-04	up to 4 m	0.55 kW, 3-Phase, 1500 RPM	1:60+PC1:3 (1:180)
EL-05	4 to 6 m	0.55 kW, 3-Phase, 1500 RPM	1:80+PC1:3 (1:240)

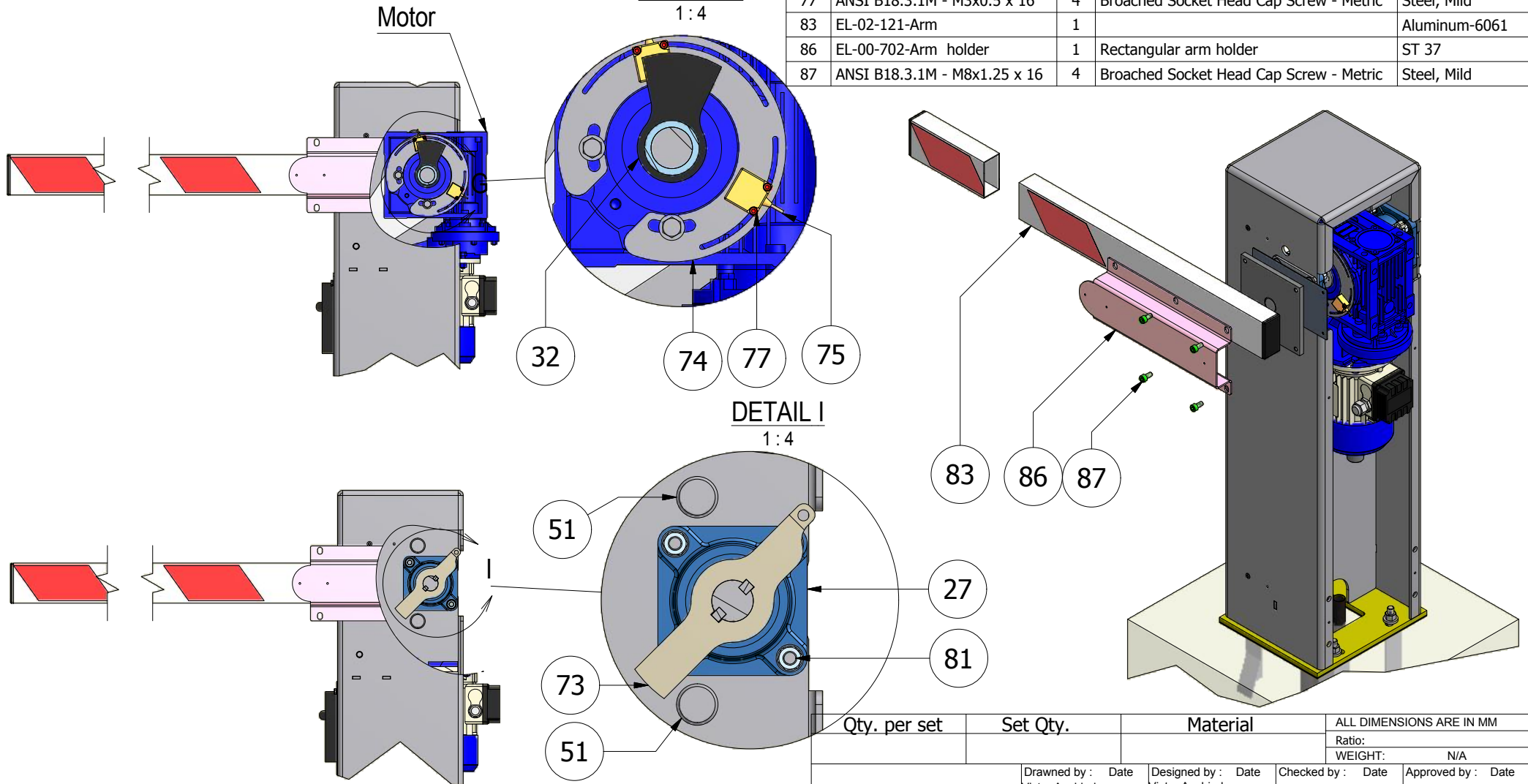



Qty. per set	Set Qty.	Material	ALL DIMENSIONS ARE IN MM				
			Ratio:				
			WEIGHT: N/A				
Drawn by : Date Victor Aynbinder 23/11/2011		Designed by : Date Victor Aynbinder 22/11/2011		Checked by : Date		Approved by : Date	
			TITLE: EL-04/05 Manual				
			Part catalog number		Drawing No.		Version 01
					Sheet 1 / 4		



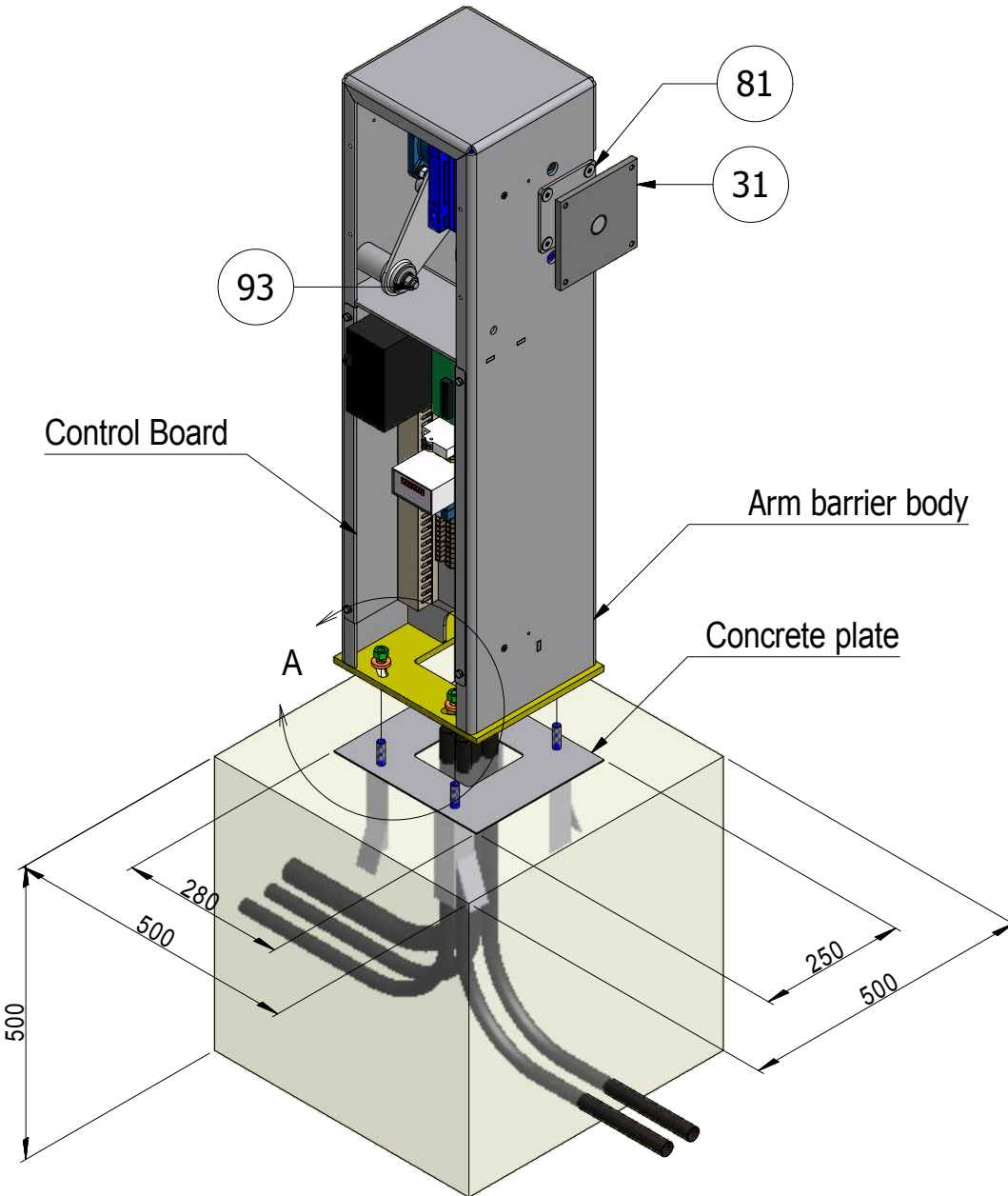
Qty. per set	Set Qty.	Material	ALL DIMENSIONS ARE IN MM			
			Ratio:	1:10		
			WEIGHT:	N/A		
Drawn by : Date		Designed by : Date		Checked by : Date		Approved by : Date
Victor Aynbinder 23/11/2011		Victor Aynbinder 22/11/2011				
			TITLE: EL-04/05 Manual			
			Part catalog number	Drawing No.	Version	Sheet
					01	2 / 4

ITEM	PART No.	QTY	DESCRIPTION	MATERIAL
32	EL-02-108-Sensor trigger	1	Sensor trigger or stoper	ST 52
51	EL-02-106-Stop bar	2	Mechanical stop bar.	ST 52
73	EL-02-118-Stoper	1	Sensor trigger	ST 52
74	EL-02-135-Sensor mini plate	1		ST 37
75	Proximity sensor XS7E1A1DAL5	2		Default
77	ANSI B18.3.1M - M3x0.5 x 16	4	Broached Socket Head Cap Screw - Metric	Steel, Mild
83	EL-02-121-Arm	1		Aluminum-6061
86	EL-00-702-Arm holder	1	Rectangular arm holder	ST 37
87	ANSI B18.3.1M - M8x1.25 x 16	4	Broached Socket Head Cap Screw - Metric	Steel, Mild

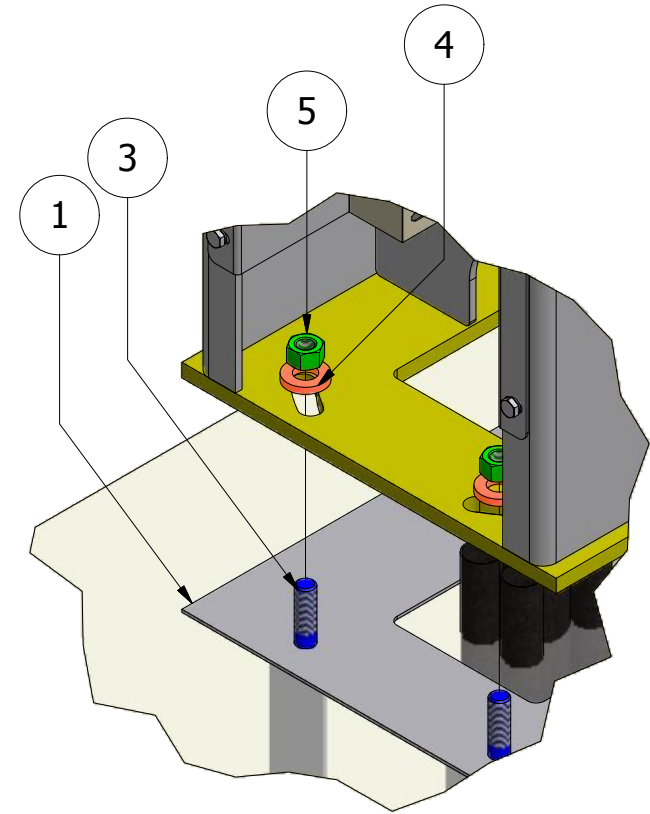


Qty. per set	Set Qty.	Material	ALL DIMENSIONS ARE IN MM				
			Ratio:				
			WEIGHT: N/A				
Drawn by : Date		Designed by : Date		Checked by : Date		Approved by : Date	
Victor Aynbinder		Victor Aynbinder					
23/11/2011		22/11/2011					
			TITLE: EL-04/05 Manual				
Part catalog number		Drawing No.		Version		Sheet	
				01		3 / 4	


THIS DOCUMENT IS PROPERTY OF EL-GO TEAM LIMITED, AND IT MAY NOT WHOLLY OR PARTIALLY BE COPIED, STORED IN A RETRIEVAL SYSTEM, DISCLOSED TO THIRD PARTIES OR USED FOR ANY OTHER PURPOSE OTHER THAN THAT FOR WHICH IT IS SUPPLIED WITHOUT THE EXPRESS WRITTEN AUTHORITY OF EL-GO TEAM LIMITED.



EL-02				
ITEM	PART No.	QTY	DESCRIPTION	MATERIAL
3	ANSI B18.2.3.5M - M12 x 1.75 x 40	4	Hex Bolt	Steel, Mild
4	IFI 542 - 12	4	Circular Washer	Steel, Mild
5	ANSI B 18.2.4.1 M - M12 x 1.75	4	Hex Nut	Steel, Mild



DETAIL A
1:4

Qty. per set 1	Set Qty. 1	Material	ALL DIMENSIONS ARE IN MM		
			Ratio:	1:15	
			WEIGHT:	N/A	
<small>CONFIDENTIAL- THIS DRAWING & INFORMATION IS THE PROPERTY OF EL-GO TEAM. UNAUTHORIZED USE OR REPRODUCTION IS PROHIBITED.</small>		Drawn by : Victor Aynbinder Date : 23/11/2011	Designed by : Victor Aynbinder Date : 22/11/2011	Checked by : Date :	Approved by : Date :
			TITLE: EL-04/05 Manual		
			Part catalog number	Drawing No.	Version
			01	4 / 4	